

ShadowMaster

Broadband to the Edge

For
Service Providers ■ Utilities ■ Municipalities/Counties ■ VARs
Systems Integrators ■ Carriers ■ Network Operators ■ Public Safety

Highlights

- Flexible Configuration
 - Dual Access Points
 - Link & Cover
 - Intelligent Repeater
- IEEE 802.11 a/b/g
- Dual On board Radios c/w Integrated Antenna
- Dual On Board External Antenna connections
- RF Modules software configurable to 2.4 GHz or 5 GHz bands
- Embedded routing and bridging
- Dual on board Ethernet ports
- Multiple VLAN support c/w VLAN prioritization
- Rugged & robust aluminum chassis
- NEMA 4X and IP67 Compliant Case
- Low energy consumption power over Ethernet (PoE)
- FCC Part 15 & Industry Canada RSS210 Compliant



Solid Wireless Broadband

ShadowMaster

Technical Specifications

Radios		X 2
Frequency	802.11b/g 802.11a	2.312–2.497 GHz 4.9 - 5.825 GHz (subject to regulatory restrictions)
Channels Support	802.11b/g 802.11a	14 channels (2.412 - 2.484 GHz) 28 non-overlapping channels (5.15 - 5.35 GHz, 5.47–5.825 GHz) Note: Not all channels available for outdoor use.
Modulation	802.11a/g 802.11b	OFDM - Orthogonal Frequency Division Multiplex (64 & 16-QAM, QPSK, BPSK) DSSS Direct Sequence Spread Spectrum (DBPSK, DQPSK, CCK) FDM (BPSK, QPSK, 16-QAM, 64-QAM)
Antenna (Primary)		+ 21 dBi @ 5.1–5.9GHz or + 15 dBi @ 2.4 GHz (specify on order)
Output Power (antenna port) & Data Rates	802.11b 802.11g 802.11a	+24 dBm @ 1, 2, 5.5, and 11 Mbps +23 dBm @ 6 Mbps, + 19.5 dBm @ 54 Mbps +22.5 dBm @ 54 Mbps, + 18 dBm @ 54 Mbps
Receiver Sensitivity (10E-05 BER)	802.11b 802.11g 802.11a	-95 dBm @ 1 Mbps, -88 dBm @ 11 Mbps -90 dBm @ 6 Mbps, -72 dBm @ 54 Mbps -92 dBm @ 6 Mbps, -74 dBm @ 54 Mbps
Multiple Access Protocol	802.11a/b/g	CSMA/CA with ACK
Configuration		
Network Management Support	Console via Secure Shell (SSH), SNMP, Web Interface	
Service & Security Protocols Supported	UDP, TCP, ICMP, 64, 128 & 154-bit WEP, WPA-PSK, WPA EAT/TLS, EAP/TTLS, EAP/PEAP, TKIP & AES ciphers, ACL w/ per-user keys, bandwidth control	

Standards, Compliance and General Information

EMC & RF Compliance	EN 300-385, FCC Part 15, Industry Canada RSS210
Safety	EN 60950, UL1950
Environmental	ETS 300 019

Mechanical

Size	10.1 in (h) x 14.4 in x (w) 2.9 in (d) 25.6 cm (h) x 36.6 cm (w) x 7.3 cm (d)
Weight	8.1 lbs (3.7 kgs)

Electrical

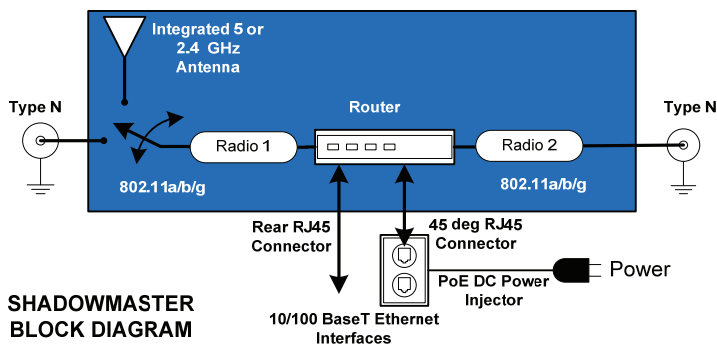
Power Supply	11.7W maximum (8.5 W avg), 9-48 VDC via Power over Ethernet (PoE)
--------------	---

Interfaces

RF (antenna)	2 - N-Type Female, Electrostatic Lightning Protection Strongly recommended.
User Interface	2 - 10/100 BaseT (one with PoE)

Environmental

Operating Temperature	Outdoor units: -40°F to +140°F, -40°C to +60°C
Operating Humidity	5% to 95% non-condensing. Outdoor units are weather protected
Wind Survival	124 miles/hr (200 km/hr)



Product specifications subject to change without notice. February, 2009



Waveteq Communications Inc.

Suite 222 - 3121 Hill Road, Lake Country, B.C., Canada, V4V 1G1
<http://www.waveteq.com>, Phone: +1-250-766-9229, USA/Can +1-888-WaveTeq, Fax: +1-250-766-9221